

WATT Telescoping Valve

Non-Rising Stem Screw

Standard Valve		
Item	Description	Material
1	Knob	aluminum
2	14" handwheel	aluminum
3	Cap	aluminum
4	Indicator screw	stainless steel
5	Indicator	brass
6	Scale	aluminum
7	Floorstand	stainless steel
8	Lift screw	stainless steel
9	Lift nut	delrin
10	Lift pipe	stainless steel
11	Bail	stainless steel
12	Fasteners	stainless steel
13	Slip pipe	stainless steel
14	Flange	cast iron
15	Gasket	neoprene

Purchased Options		
Description	Material	Check "yes"
Offset floorstand	stainless steel	
Wallbracket	stainless steel	
Scumbaffle	aluminum	
18" handwheel	aluminum	
Flange ass'y	stainless steel	
Anchor bolts	304 stainless steel	
Anchor bolts	316 stainless steel	
Scale	mylar	
Scale	stainless steel	
Funnel	stainless steel	Size:
Electric operator		

Contractor to provide the following:

Floor elevation: _____

High water elevation: _____

Low water elevation: _____

Flange elevation: _____

Floor thickness: _____

Project: _____

Contractor: _____

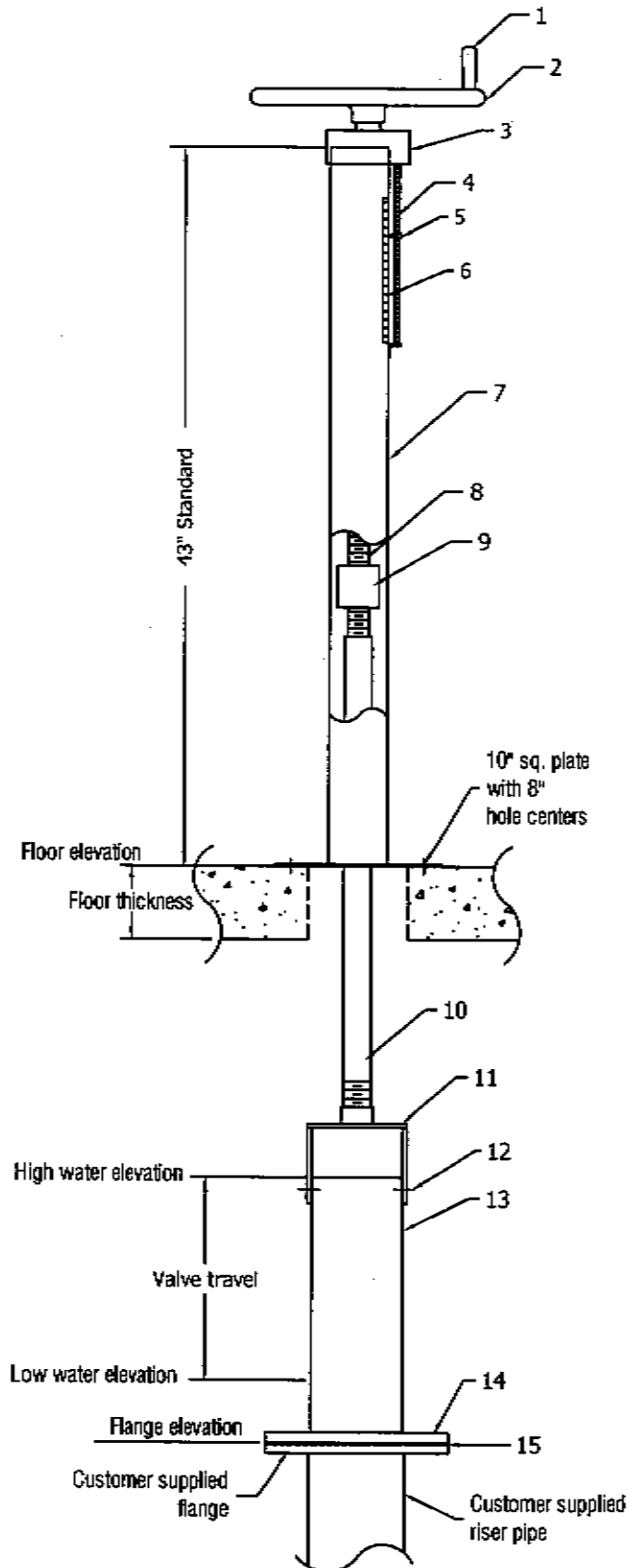
Sales representative: _____

Size: _____ Qty: _____

Latanick Equipment, Inc. Job #: _____

*Approved by: _____

Date: _____



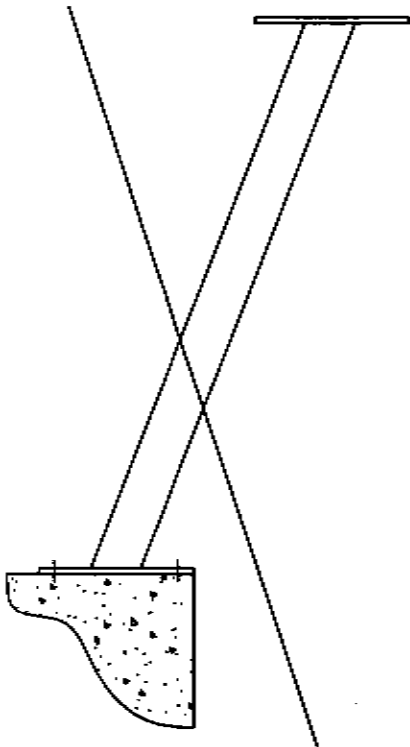
LATANICK
EQUIPMENT, INC.

Custom design & machinery builder
Huron, Ohio Phone: (419)433-2200

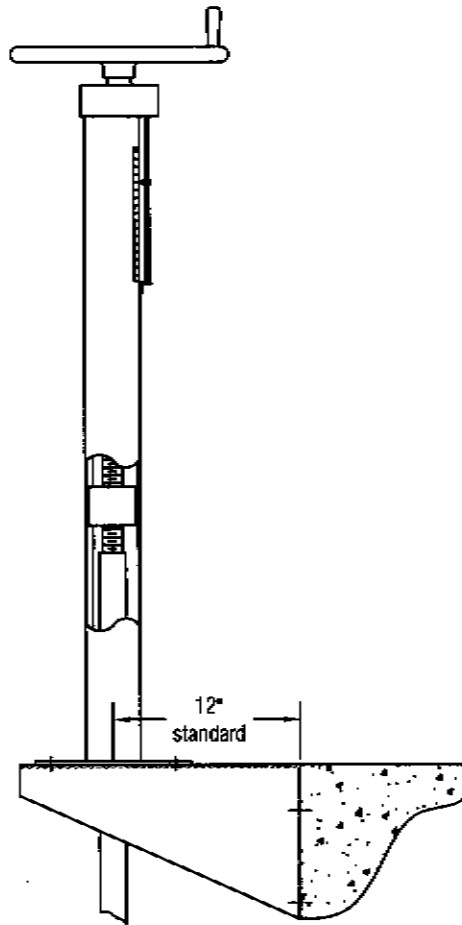
WATT Telescoping Valve

Non-Rising Stem Screw Options

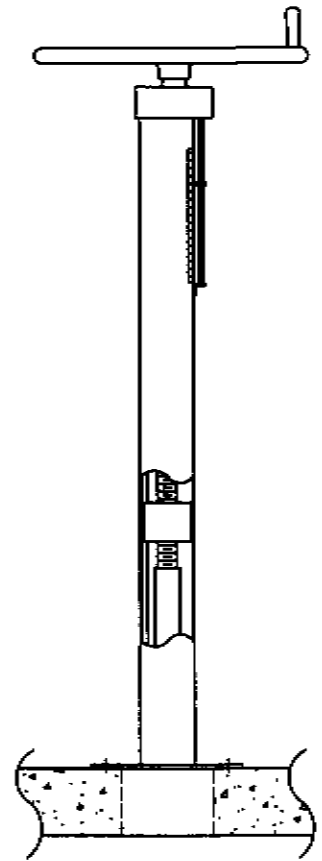
An offset floorstand can not be used with a Non-Rising Stem Screw WATT Telescoping Valve



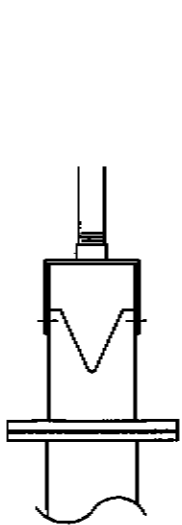
Offset floorstand



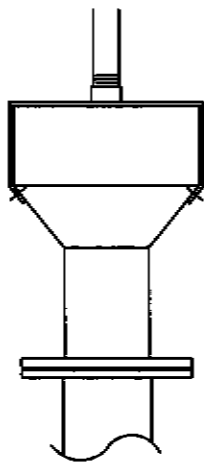
Wallbracket



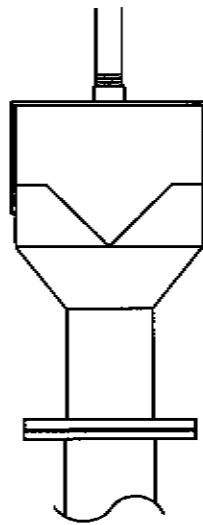
18" Diameter handwheel



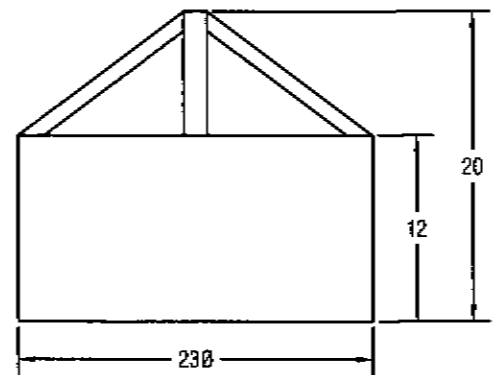
(2) Vee notches
180° apart



Funnel



Funnel w/vee notches
180° apart



Scum baffle