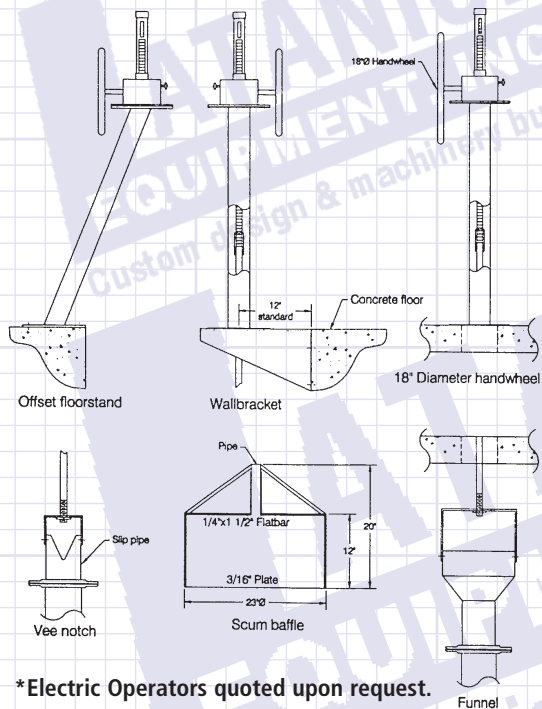


Options



*Electric Operators quoted upon request.

Other Manufactured Items:

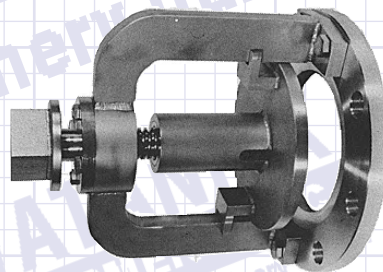
- Platforms
- Ladders
- Weir plates
- Stop plates
- Bar screens
- Railing

*Special Applications
quoted upon request



ATANICK
EQUIPMENT, INC
Custom design & machinery builder

720 River Road
Huron, Ohio 44839



WATT Telescoping Valve

ATANICK
EQUIPMENT, INC

Custom design & machinery builder

Serving Industry for over 30 years

*You Make the Call...
...We'll Make the Difference*



MANUFACTURING & SALES

720 River Road
Huron, Ohio 44839

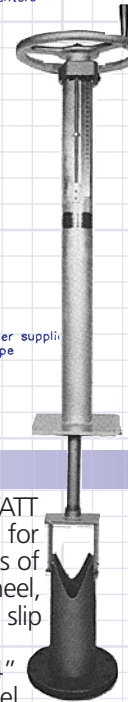
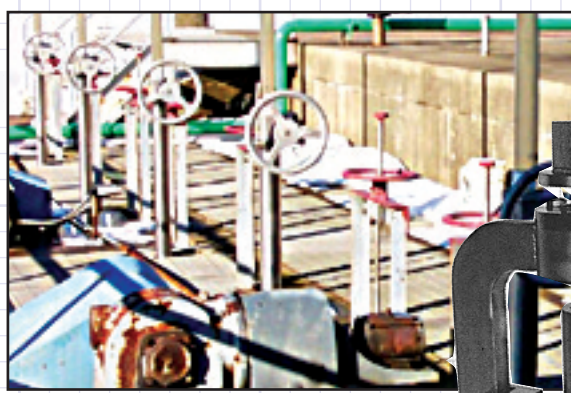
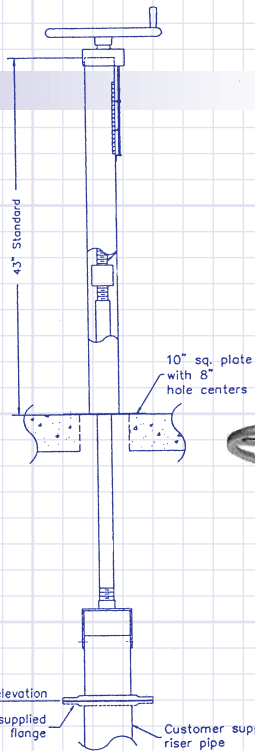
Phone: 419-433-2200 • Fax: 419-433-6261

WATT Telescoping Valve Non-Rising Stem

The Non-rising Stem WATT Telescoping Valve is shipped ready for easy installation. Each valve consists of a handwheel, operator, position indicator, floorstand, screw, lifting screw, lifting rod, bail, slip pipe and flange assembly.

The operator consists of a 14" diameter aluminum handwheel with knob, completely enclosed 1 1/4"-4 double start stainless steel acme lifting screw, ball thrust bearing, delrin gears, aluminum drive gear and delrin lifting nut. The position indicator consists of a stainless steel screw, brass indicator and aluminum scale calibrated in 1/2" increments.

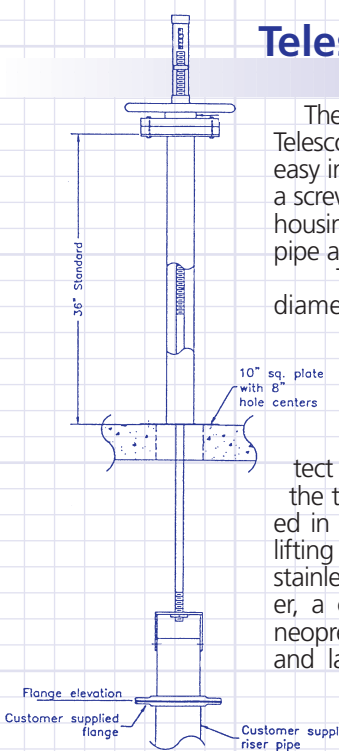
For valves 8" and smaller, a cast iron companion flange with neoprene gasket is provided. Valves 10" and larger use a stainless steel flange assembly which can also be substituted on smaller valves upon request.



WATT Telescoping Valve Rising Stem Screw

The Rising Stem Screw WATT Telescoping Valve is shipped ready for easy installation. Each valve consists of a screw cover, scale, screw, handwheel, housing, floorstand, lifting rod, bail, slip pipe and flange assembly.

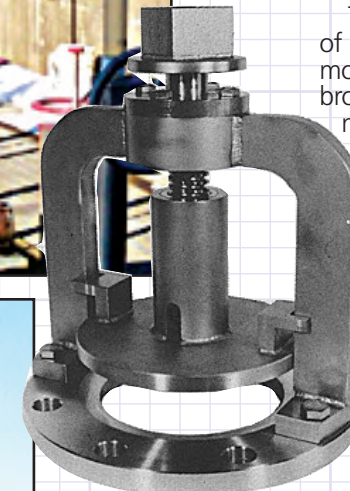
The housing consists of a 14" diameter aluminum handwheel, 1 1/4"-4 double start stainless steel acme lifting screw, bronze nut and ball thrust bearing. The screw is externally encased in a clear pvc tube with a cap to protect it from the weather. Attached to the tube is an aluminum scale calibrated in 1/8" increments. The floorstand, lifting rod, bail and fasteners are all 304 stainless steel. For valves 8" and smaller, a cast iron companion flange with neoprene gasket is provided. Valves 10" and larger use a stainless steel flange assembly which can also be substituted on smaller valves upon request.



WATT Mud Valve Non-Rising Stem

The Non-rising stem WATT Mud Valve is constructed of 304 stainless steel and is drilled for a 125# flange mounting pattern. The valve consists of a acme screw, bronze bushings, bronze thrust washers, bronze stem nut, "O" ring seal.

The screw is supported with a bronze bushing and (2) bronze thrust washers. The stainless steel screw has 1 1/4"-4 acme threads and operates a hard bronze stem nut. Sealing seat can be supplied with an "O" ring seal or a brass seat at the same cost. The plug is guided by the yoke for the entire length of the travel to prevent rotation of the plug and provide accurate alignment of sealing seat. Valve comes with a 2" square operating nut. Extension stems, floor boxes, floorstands, operators, etc., will be quoted upon request.



WATT Telescoping Valve Rack & Pinion

The Rack & Pinion WATT Telescoping Valve is shipped ready for easy installation. Each valve consists of a rack cover, scale, rack, pinion gear, gearbox assembly, floorstand, lifting rod, bail, slip pipe and flange assembly.

The gearbox assembly consists of a 1" square steel rack, steel pinion gear, stainless steel shaft, (2) sealed anti-friction bearing, 14" diameter aluminum handwheel and a locking device. The rack is externally encased in a clear pvc tube with a cap to protect it from the weather. Attached to the tube is an aluminum scale calibrated in 1/8" increments. The floorstand, lifting rod, bail and fasteners are all 304 stainless steel. For valves 8" and smaller, a cast iron companion flange with neoprene gasket is provided. Valves 10" and larger use a stainless steel flange assembly which can also be substituted on smaller valves upon request.

